

Avanti II Easel Assembly Instruction

Model No. 92-20411 (white) and 92-20414 (black)

ITEM #	PART NUMBER	DESCRIPTION	QTY.
1	97-01E10104	Left Leg (Black)	1
1	97-01E10101	Left Leg (White)	1
2	97-01E10204	Right Leg (Black)	1
2	97-01E10201	Right Leg (White)	1
3	97-01E10300	Joiner	1
4	97-01E10404	Lower Front Support (Black)	1
4	97-01E10401	Lower Front Support (White)	1
5	97-01E10500	Lower Back Joiner	1
6	97-01E20600	LowerTilt Support Bar	1
7	97-01E10700	Allen Screw	6
8	97-01E20800	Tray Support	2
9	97-01E20904	Top Center Arm (Black)	1
9	97-01E20901	Top Center Arm (White)	1
10	97-01E10700	(SEE #7)	-
11	97-01E10700	(SEE #7)	-
12	97-01E21204	Tray (Black)	1
12	97-01E21201	Tray (White)	1
13	97-01E21300	Top Center Tube	1
14	97-01E11104	Top Canvas Holder (Black)	1
14	97-01E11101	Top Canvas Holder (White)	1
15	97-01E21504	Upper Tilt Support (Black)	1
15	97-01E21501	Upper Tilt Support (White)	1
16	97-01E11200	Knob Large Male	3
17	97-01E11300	Knob Small Male	2
18	97-01E21800	Allen Screw W/Nut/W M10	1
19	97-01E11400	Adjustable Feet	4
20	97-01E22000	Tray Screw	2

MINI TRAY - Model No. 92-2040/11 White • Model No. 92-2040/14 Black

Parts List

1	97-01ET0104	Tray (Black)	1
1	97-01ET0101	Tray (White)	1
3	97-01ET0200	Chrome Leg	1

IMPORTANT

If you have difficulty assembling your easel or need customer service assistance. Please call: Martin Universal Design, Inc. Customer Service Hot Line at 1-800-366-7337. If you need additional parts, it is not necessary to contact your dealer, our Customer Service Rep. will forward them to you immediately.



4444 Lawton Avenue, Detroit MI 48208 USA Tel:(313)895-0700 • Fax:(313)895-0709
E-mail: CustservMUD@aol.com • Visit us at: www.MartinUniversalDesign.com

Assembly Instructions

FIGURE A.

Thread part #3 Joiner into part #4 Lower front support.
Put part #5 Lower back joiner into part #6 Lower tilt support bar and then place part #15 Upper tilt support over the tube of part #6 Lower tilt support bar.
Screw part #17 Small knob into part #15 Upper tilt support.
Insert part #1 Left Leg into end of #5 Lower back joiner and into part #3 Joiner. Repeat with right side. Insert part #2 Right leg into end of #5 Lower back joiner and into part #3 Joiner.
Secure part #1 and #2 to part #4 Lower front support using two #7 Allen screws. Tighten with Allen wrench.

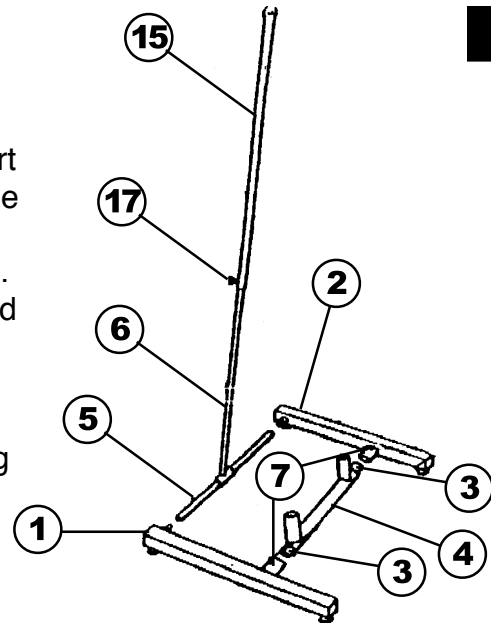


FIG A

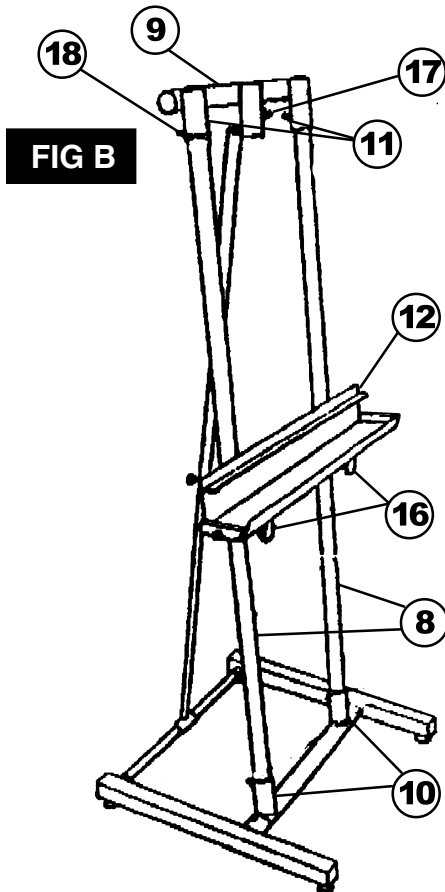


FIG B

FIGURE B.

Insert part # 8 Tray support arms into part #4 Lower front support. Secure with #10 Allen screws into part #4 lower front support. Tighten by using Allen wrench.

Proceed by sliding part #12 Tray down over parts #8. Secure by screwing #16 Large knobs into part #12.

Then slide #9 Top support over the top of #8 and attach #15 Upper tilt support to #9 Top support with #18 Allen screw with nut. Then screw #11 Allen screws into #9 Top support to hold in place.

FIGURE C.

Insert #13 Top center tube through part #14 Top Canvas holder and then tighten with #16 Large knob.
Then slide #13 and #14 assembled piece down into #9 Top support. To raise or lower, loosen knob and adjust to preferred height. Re-tighten knob to secure.
NOTE: DO NOT tighten knobs more than necessary.

Your easel is now ready for use. Enjoy!



4444 Lawton Avenue, Detroit MI 48208 USA Tel:(313)895-0700 • Fax:(313)895-0709
E-mail: CustservMUD@aol.com • Visit us at: www.MartinUniversalDesign.com

